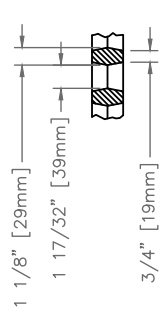
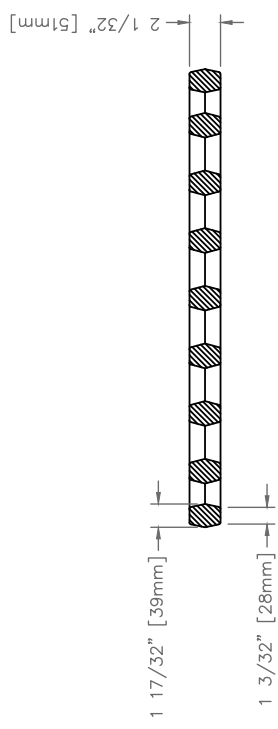
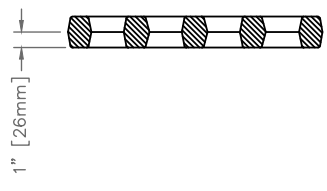
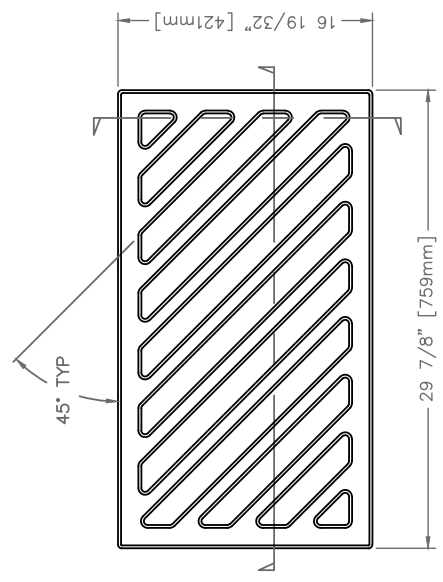


FRAME AND GRATE FIT DETAIL
HALF SCALE



RIB SECTION

NOTE: COMPLIES WITH AASHTO M306 LOADING REQUIREMENTS.
ALL DIMENSIONS ARE SHOWN IN ENGLISH AND [METRIC].
FREE OPEN AREA: 1.41 SQUARE FEET
MATERIAL: CAST GRAY IRON ASTM A-48, CLASS 35B
FINISH: NOT PAINTED
WEIGHT: 130#

DR.	DB	SCALE	TITLE
CH.		1/8"=1"	R-3288-E DR / DL GRATE
APP.		DIM. CHK.	NEENAH FOUNDRY COMPANY NEENAH WISCONSIN 54956
DATE	6/03/88		NEENAH NF-32880030 B
DATE			
REVISION			
ELR			
ELR			
ELR			
ELR			

CAD DWG. REF: 32880030.DWG-4

A Division of Greater Cincinnati Water Works

Standard Bicycle Grate - 120360
Or Stormwater Approved Substitution

Eric Taylor

Approved _____
City Stormwater Management Engineer



C I N C I N N A T I
STORMWATER
M A N A G E M E N T U T I L I T Y